

PRODUCT INFORMATION PACKET

Model No: 5KCR48TN3084X

Catalog No: C1479

1-1/3 HP 2 speed General Purpose Motor, 1 phase, 1800/1800 RPM, 208-230/190-220 V, 56H Frame, ODP
Single Phase ODP Motors





Nameplate Specifications

Output HP	1-1/3 Hp	Output KW	0.75 kW
Frequency	60 Hz	Voltage	208-230/190-220 V
Current	5.3-5.4,3.6-3.7 A	Speed	1725/1140 rpm
Service Factor	1	Phase	1
Efficiency	74 %	Power Factor	0
Duty	Continuous	Insulation Class	B
KVA Code	J	Frame	56H
Enclosure	Drip Proof	Thermal Protection	AUTO
Ambient Temperature	50 °C	Drive End Bearing Size	6203
Opp Drive End Bearing Size	6203	UL	Recognized
CSA	Yes	CE	N

Technical Specifications

Electrical Type	Capacitor Start Capacitor Run	Starting Method	SM
Poles	4	Rotation	Counterclockwise/Clockwise
Mounting	Resilient Base	Motor Orientation	ANY
Drive End Bearing	BALL	Opp Drive End Bearing	Ball
Frame Material	Rolled Steel	Overall Length	12.54 in
Frame Length	8.43 in	Shaft Diameter	0.630 in
Shaft Extension	1.88 in		
Connection Drawing	52A105385AF	Outline Drawing	52A109607P5

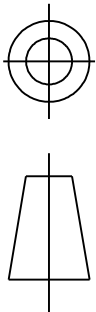
This is an uncontrolled document once printed or downloaded and is subject to change without notice. Date Created:03/11/2020



REVISIONS

REV.	DESCRIPTION	DATE	APPROVED
6	ADDED PT#6 PER DS11-1413 REDESIGN	06/15/2011	BHASKAR

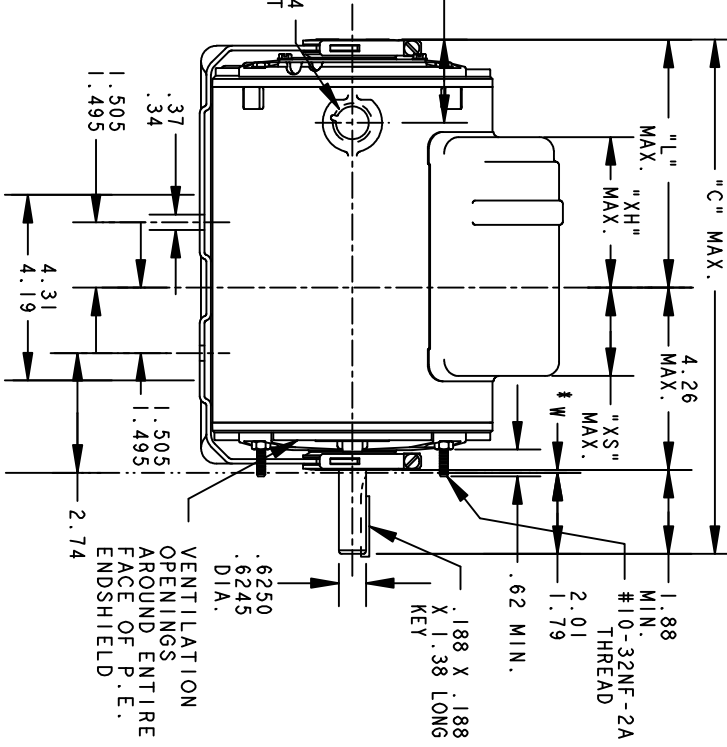
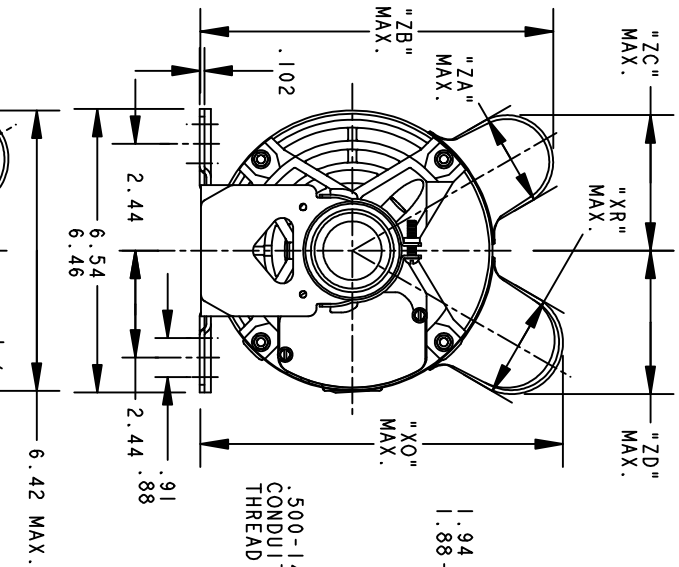
THIRD ANGLE PROJECTION



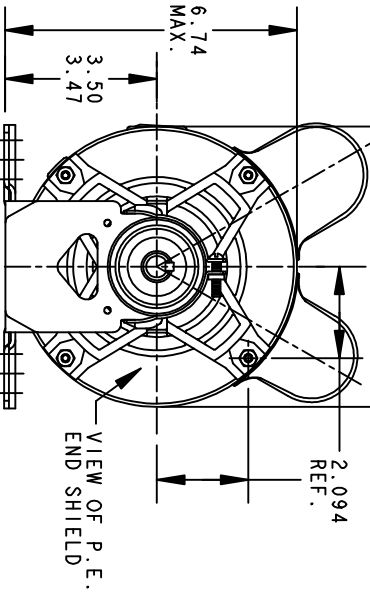
SHEET 1

52A109607

DRAWING NO. A



*W IS A VARIABLE CLEARANCE DUE TO VARIATIONS IN PARTS AND ASSEMBLY



6	KCR	49	56	12.01	6.75	3.62	8.16	2.10	2.30	2.10	8.16	3.15	3.15	7.68
5	KCR	48	56	12.54	6.50	4.37	7.92	1.60	2.39	2.10	8.16	3.15	3.16	8.43
4	KC	46	56	10.78	4.62	2.92	7.81	1.60	2.82	2.15	8.18	3.20	2.89	6.55
3	KCR	49	56	12.01	5.75	3.62	7.74	1.60	2.30	2.10	8.16	3.15	2.80	7.68
2	KCR	49	56	11.48	5.22	3.48	8.16	2.40	2.26	2.10	8.16	3.15	3.30	7.15
1	KCR	49	56	11.48	5.22	3.48	7.56	1.60	2.26	2.10	8.16	3.15	3.09	7.15
P	TYPE	GE	NEMA	"C"	"L"	"XH"	"XO"	"XR"	"XS"	"ZA"	"ZB"	"ZC"	"ZD"	MIN. SHELL

SIGNATURES		DATE
MODEL	MA MARKS	04/06/94
DETAIL		
CHECKED		
ENGRG		
MFG		
QUALITY		
ISSUED	M.D. PAPE	02/11/00

REGAL-BELOIT CORPORATION

OUTLINE

40 FRAME REDESIGN - GENERAL PURPOSE MOTOR - DRIP PROOF - BALL BEARING - RESILIENT BASE FWF: SKCR49PN3012X

SCALE: 0.250 REF. No. .

FOR ADDITIONAL INFO REFER TO:		
APPLIED PRACTICES	QUALITY	
DIMENSIONS ARE IN INCHES	ISSUED	M.D. PAPE 02/11/00
MATERIAL	SOLID MODEL:	52A109607

TITLE		SIZE	DRAWING	REV
40 FRAME REDESIGN - GENERAL PURPOSE MOTOR - DRIP PROOF - BALL BEARING - RESILIENT BASE FWF: SKCR49PN3012X		A		
SCALE: 0.250 REF. No. .				
52A109607				
SHEET 1 OF 1				

REV.	DESCRIPTION	DATE	APPROVED
1	UPDATED FORMAT	12/19/05	MAM

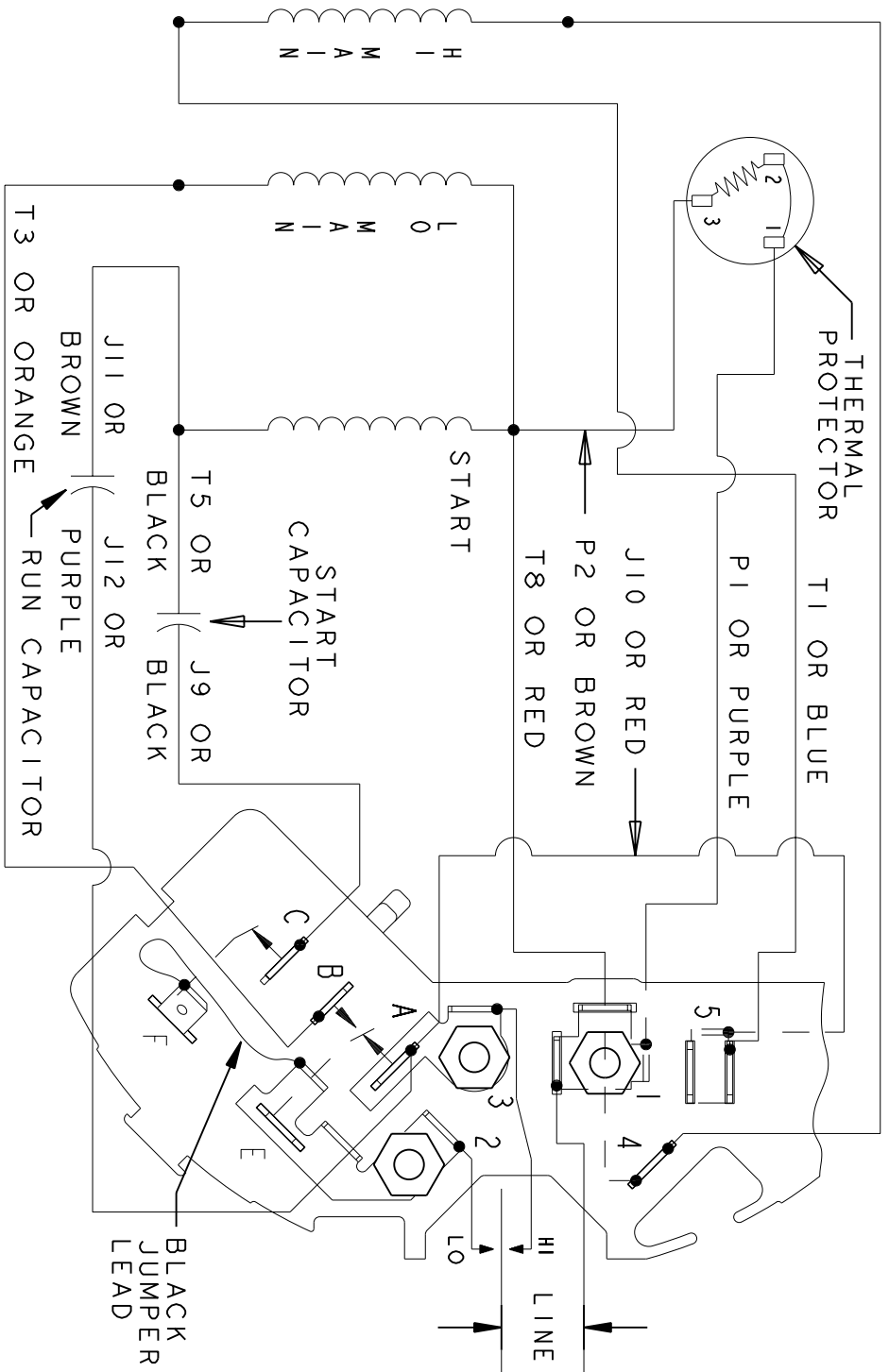
REVISIONS

REV 1

EITHER ROTATION
 SINGLE VOLTAGE
 TYPE KC WITH
 THERMAL PROTECTOR
 2 SPEED
 POLE CHANGING
 (HI SPEED START WINDING)

52A105385AF

SIZE DRAWING NO.



NOTE # 1 - TO REVERSE ROTATION INTERCHANGE BLUE (T1) AND WHITE (T2) LEADS.

NOTE # 2 - WHEN MORE THAN ONE CAPACITOR IS USED CONNECT IN PARALLEL.

REF. DIAG. - 52A101511

SWITCH (D) - 115D958BA
 CONNECTION LABEL - 52X332052

SIGNATURES	DATE
MODEL B. JOHNSON	08/19/92
DETAIL	.
CHECKED	.
ENGRG	.
MFG	.
QUALITY	.
ISSUED B.L.J.	08/19/92
MATERIAL	SOLID MODEL: 52A105385AF



REGAL-BELOTT CORPORATION

CONNECTION DIAGRAM

FMF: 5KCR49ZN3003T

SIZE DRAWING	A	SCALE: 1.000	REF. No.:	SHEET 1 of 1
TITLE	CONNECTION DIAGRAM			
REV	1			